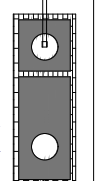


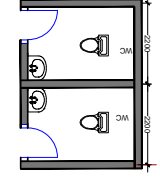
SOAK PIT



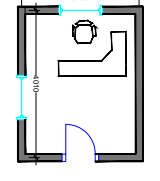
SEPTIC TANK



TOILET



SENTRY



COMMUNITY RESOURCE
CENTRE

MAIN OFFICE

LAWN/FIRRE ASSEMBLY

PARKING AREA

DESIGNED BY : V.ICTOR
CHECKED BY : CYPRIAN
APPROVED BY :
SCALE : NTS

DRAWING TITLE: PROPOSED LAYOUT PLAN
N° EDCA-OP-001

"LEADING CHAMPION FOR CHILDREN"

PO BOX 249-90121,
TEL:254-79290082 / 254-79290083,
EMALI-KENYA,
KWFT BUILDING,1ST FLOOR.



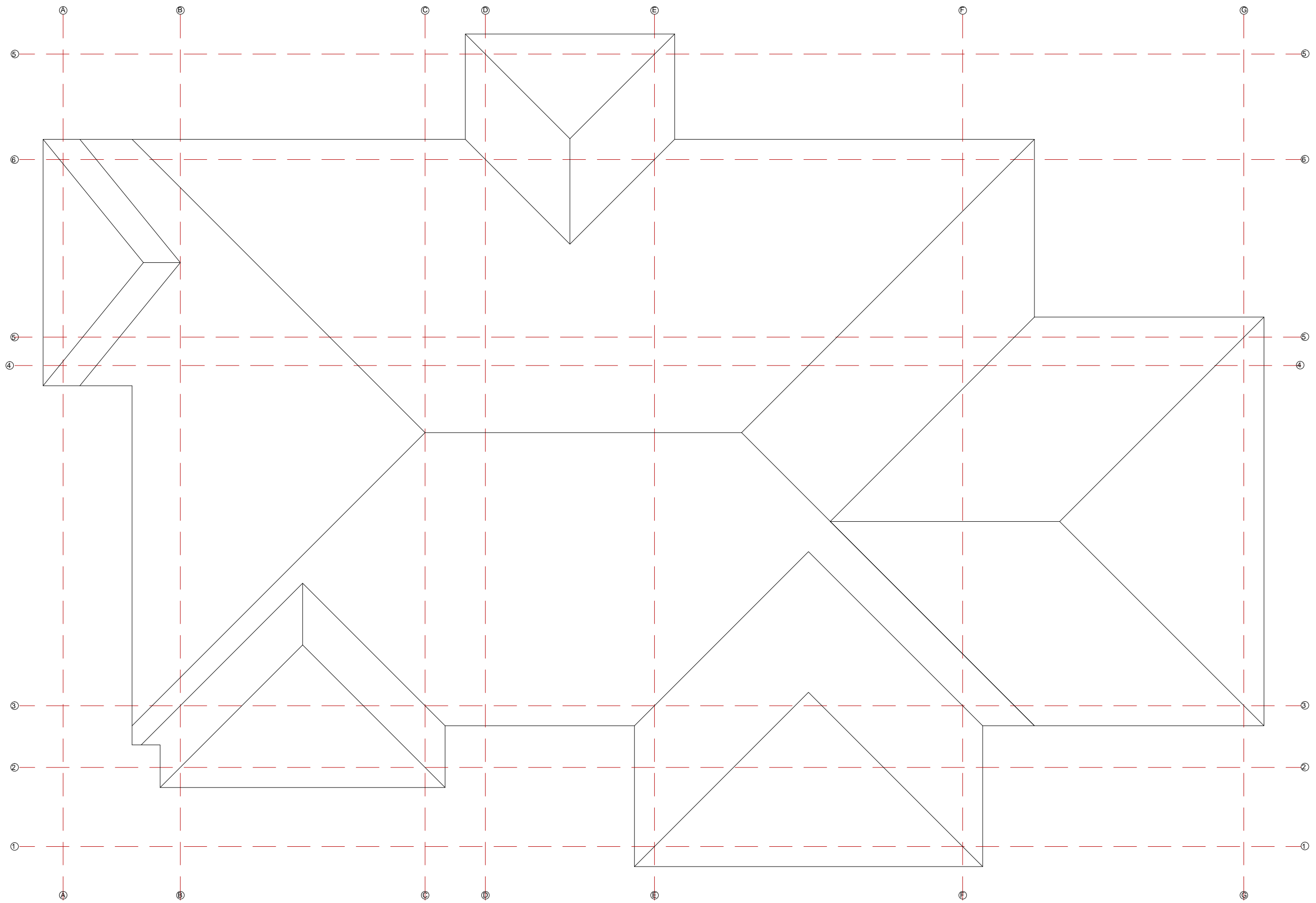
NOTES
 1. ALL UNITS ARE IN MM UNLESS OTHERWISE STATED

"LEADING CHAMPION FOR CHILDREN"

PO BOX 249-90121,
 TEL:254-79290082 / 254-79290083,
 EMALI-KENYA,
 KWFT BUILDING,1ST FLOOR.

DESIGNED BY : V.ICTOR
 CHECKED BY : CYPRIAN
 APPROVED BY :
 SCALE : NTS

DRAWING TITLE:
PROPOSED OFFICE FLOOR PLAN
 N° EDCA-OP-002



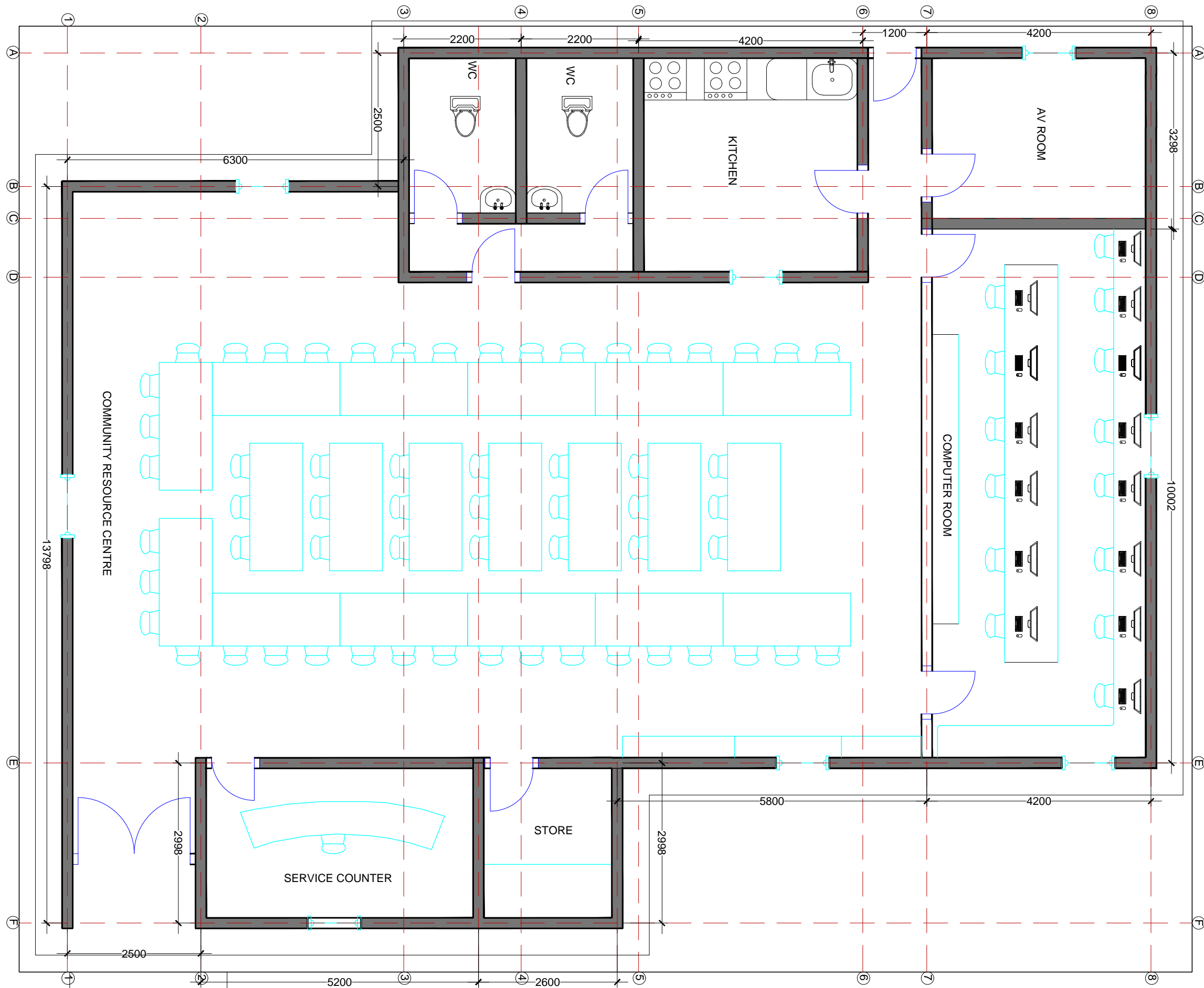
"LEADING CHAMPION FOR CHILDREN"

PO BOX 249-90121,
TEL:254-79290082 / 254-79290083,
EMALI-KENYA,
KWFT BUILDING,1ST FLOOR.

DESIGNED BY : V.ICTOR
CHECKED BY : CYPRIAN
APPROVED BY :
SCALE : NTS

DRAWING TITLE:
PROPOSED OFFICE ROOF PLAN
N° EDCA-OP-003

NOTES
 1. ALL UNITS ARE IN MM UNLESS
 OTHERWISE STATED

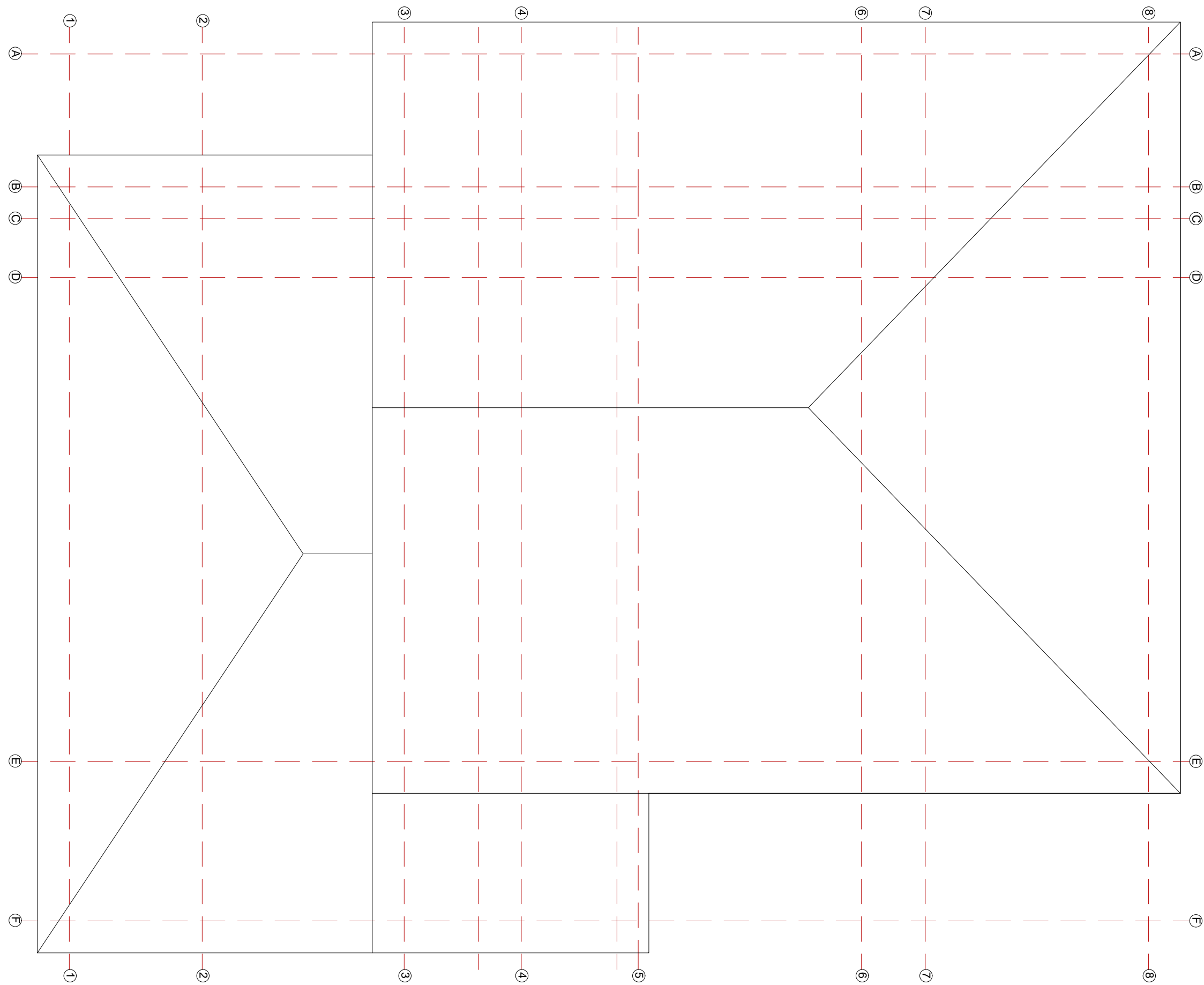


"LEADING CHAMPION FOR CHILDREN"

PO BOX 249-90121,
 TEL:254-79290082 / 254-79290083,
 EMALI-KENYA,
 KWFT BUILDING,1ST FLOOR.

DESIGNED BY : V.ICTOR
 CHECKED BY : CYPRIAN
 APPROVED BY :
 SCALE : NTS

DRAWING TITLE:
**COMMUNITY RESOURCE CENTRE
 FLOOR PLAN**
 N° EDCA-OP-004



"LEADING CHAMPION FOR CHILDREN"

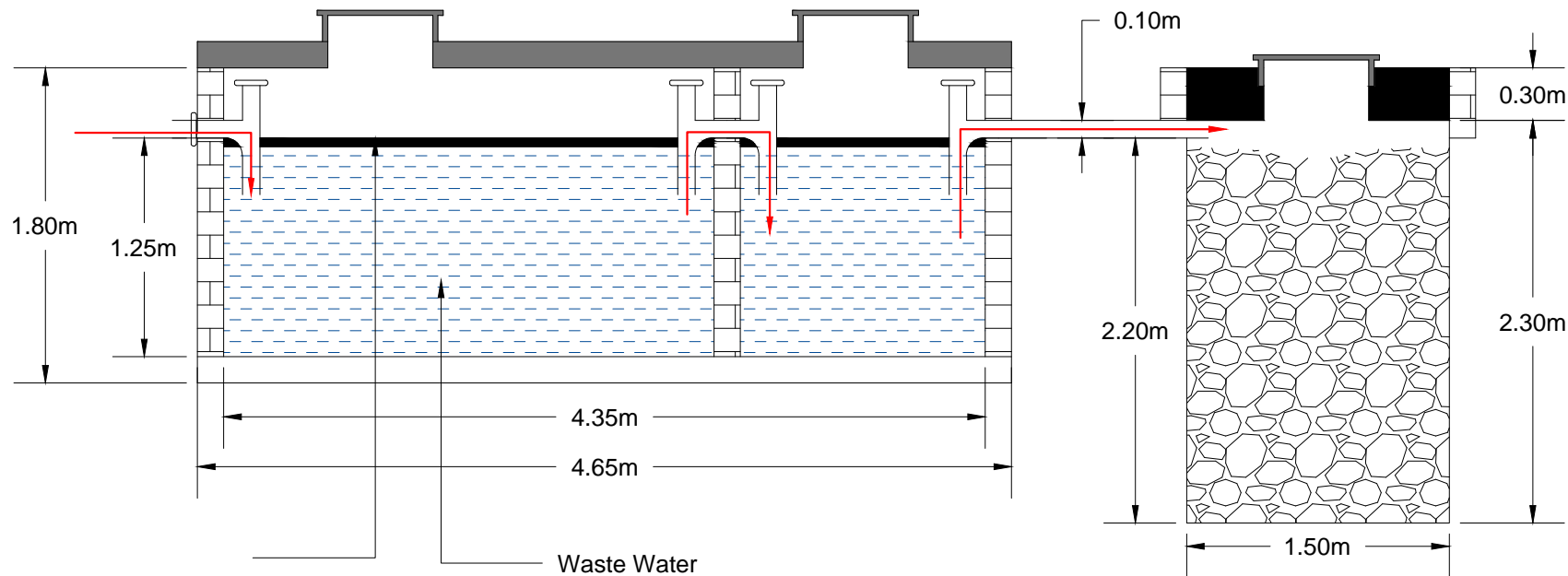
PO BOX 249-90121,
 TEL:254-79290082 / 254-79290083,
 EMALI-KENYA,
 KWFT BUILDING,1ST FLOOR.

DESIGNED BY : V.ICTOR
 CHECKED BY : CYPRIAN
 APPROVED BY :
 SCALE : NTS

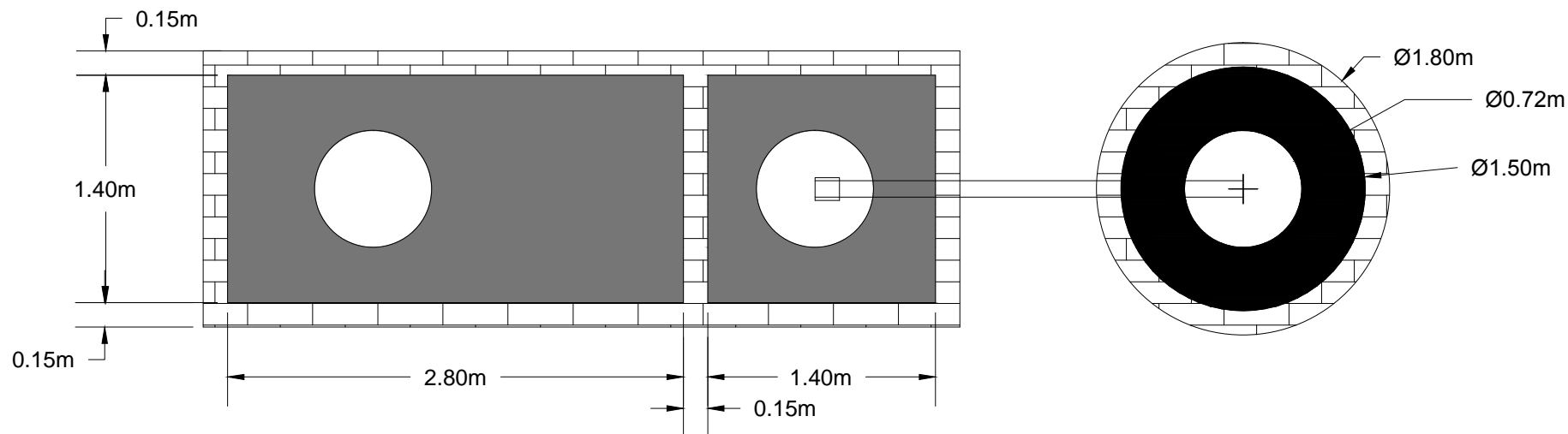
DRAWING TITLE:
 COMMUNITY RESOURCE CENTRE
 ROOF PLAN
 N° EDCA-OP-005

SEPTIC TANK AND SOAK PIT ARANGEMRNT

elevation



Plan



"LEADING CHAMPION FOR CHILDREN"



PO BOX 249-90121,
TEL:254-79290082 / 254-79290083,
EMALI-KENYA,
KWFT BUILDING,1ST FLOOR.

DESIGNED BY : VICTOR

CHECKED BY : CYPRIAN

APPROVED BY :

SCALE : NTS

DRAWING TITLE:

THE PROPOSED OFFICE
SEPTIC TANK

N° EDCA-OP-006